



WHITE WATER MARINE
WWM
 MARINE STAINLESS FABRICATORS

2072 International Way
 Port Huron, MI 48060

Phone (810) 987-4837

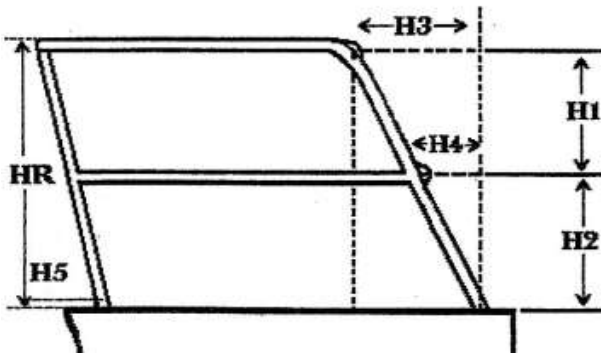
www.WhiteWaterMarineInc.com

Custom Stern Rail Measuring Guide

Customer Name: _____

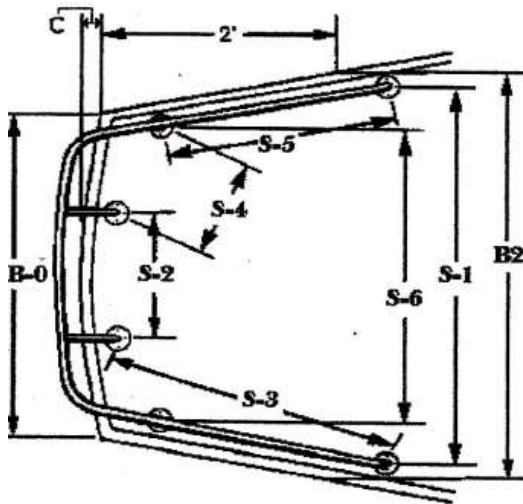
Model Number: _____

Required for ALL Models



- HR _____ Height from top of rail to horizontal deck line
- H3 _____ Center of top eye to vertical line extended from center of forward base
- H5 _____ Center of aft leg to vertical line extending down from top of rail
- B-0 _____ Beam at transom corner
- B-2 _____ Beam 2ft ahead of B-0
- C _____ Stern Crown
- S1 _____ Fwd bases, beam, centerline
- S2 _____ Aft bases, beam, centerline
- S3 _____ Aft base centerline to fwd base centerline

Required for double rails only (WDS models).



- H-1 _____ Height from center of intermediate eye to center of top eye
- H-2 _____ Height from deck to center of intermediate eye
- H-4 _____ Center of intermediate eye to vertical line extended from center of forward base

Required for models with 6 leg rails

- S4 _____ Aft base to mid base
- S5 _____ Mid base of fwd base
- S6 _____ Mid bases beam

If bases are welded-on plates:

Specify deck camber (height difference between bases)

FWD _____ MID _____ AFT _____