



WHITE WATER MARINE
WWM
 MARINE STAINLESS FABRICATORS

2072 International Way
 Port Huron, MI 48060

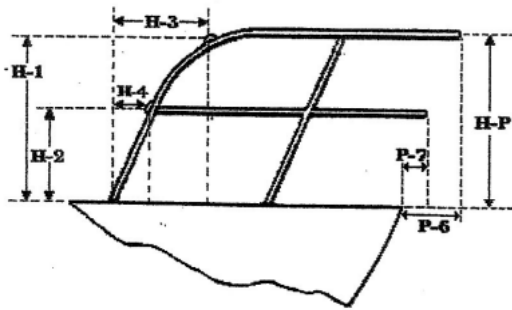
Phone (810)987-4837

www.WhiteWaterMarineInc.com

Custom Bow Pulpit Measuring Guide

Customer Name: _____

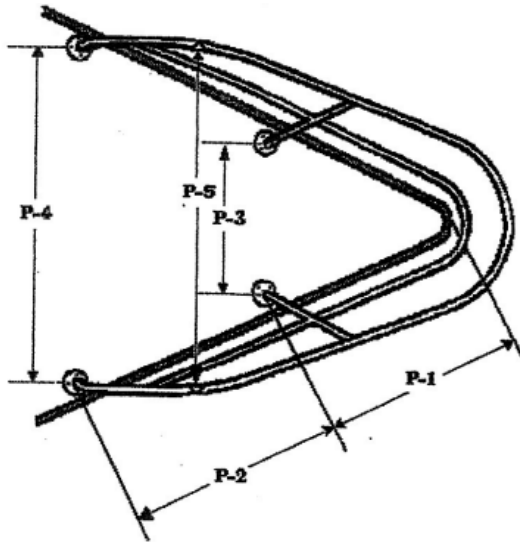
Model Number: _____



Required for ALL Models

- | | | |
|-----|-------|---|
| H-P | _____ | Deck to center of top rail of pulpit |
| H-1 | _____ | Deck to center of top eye |
| H-3 | _____ | Center of top eye to vertical line extended from center of aft base |
| P-6 | _____ | Bow to the vertical line extended down from center of top rail nose |

Required for double railed pulpits & Single railed pulpits with double lifeline eyes.



- | | | |
|-----|-------|--|
| H-2 | _____ | Deck to center of intermediate eye |
| H-4 | _____ | Center of intermediate eye to vertical line extended from center of aft base |
| P-7 | _____ | Bow to vertical line extended from center of intermediate rail nose |

Required for ALL Models

- | | | |
|-----|-------|-----------------------------------|
| P-1 | _____ | Bow to centerline of forward base |
| P-2 | _____ | Centerline fwd base to aft base |
| P-3 | _____ | Beam centerline of forward bases |
| P-4 | _____ | Beam centerline of aft bases |
| P-5 | _____ | Beam center of upper-aft corners |

If bases are welded-on plates:

Specify deck camber at P-4 _____
 Specify deck camber at P-3 _____