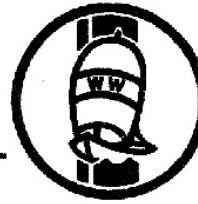


# White Water Marine Inc.

## Custom Stainless Steel Hardware

www.whitewatermarineinc.com



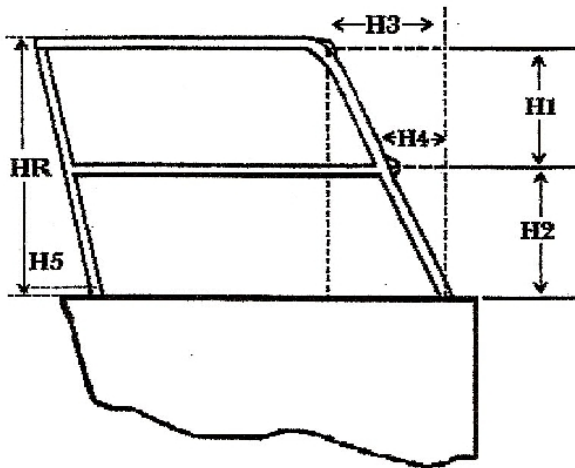
Fax (810) 966-0597

3755 West Water  
P.O. Box 610595 • Port Huron, Michigan 48061-0595

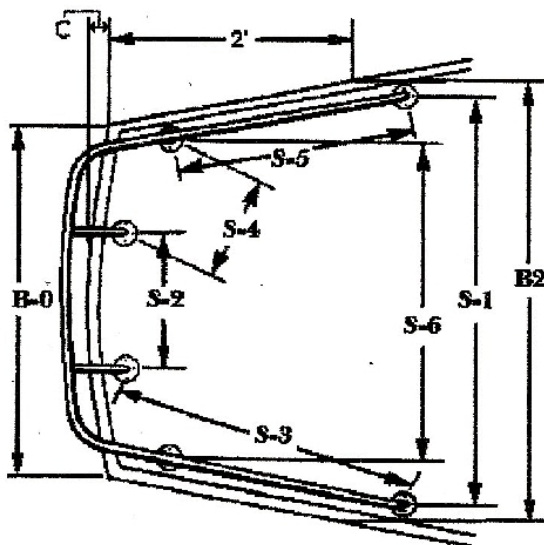
Phone (810) 987-4837

### Custom Stern Rail Measuring Guide

Customer Name \_\_\_\_\_  
Model Number \_\_\_\_\_



- HR \_\_\_\_\_ Height from top of rail to horizontal deck line.
  - H3 \_\_\_\_\_ Center of top eye to vertical line extended from center of forward base.
  - H5 \_\_\_\_\_ Center of aft leg to vertical line extending down from top of rail.
  - H1 \_\_\_\_\_ Height from center of intermediate eye to center of top eye.
  - H2 \_\_\_\_\_ Height from deck to center of intermediate eye.
  - H4 \_\_\_\_\_ Center of intermediate eye to vertical line extended from center of forward base.
- } Required for all rails (Single & double)
- } Required for double rails only (WDS models)



- B-0 \_\_\_\_\_ Beam at Transom Corner.
  - B-2 \_\_\_\_\_ Beam 2 ft. ahead of B-0.
  - C \_\_\_\_\_ Stern crown.
  - S1 \_\_\_\_\_ Fwd bases, beam, centerline
  - S2 \_\_\_\_\_ Aft bases, beam, centerline
  - S3 \_\_\_\_\_ Aft base centerline to fwd base centerline
  - S4 \_\_\_\_\_ Aft base to mid base.
  - S5 \_\_\_\_\_ Mid base of fwd base
  - S6 \_\_\_\_\_ Mid bases, beam
- } Required for all rails.
- } Required for 6 leg rails only.

**If bases are welded-on plates:**  
Specify deck camber (Height difference between bases)

Fwd \_\_\_\_\_ Mid \_\_\_\_\_ Aft \_\_\_\_\_