

White Water Marine Inc.

Custom Stainless Steel Hardware

www.whitewatermarineinc.com



Fax (810) 966-0597

3755 West Water

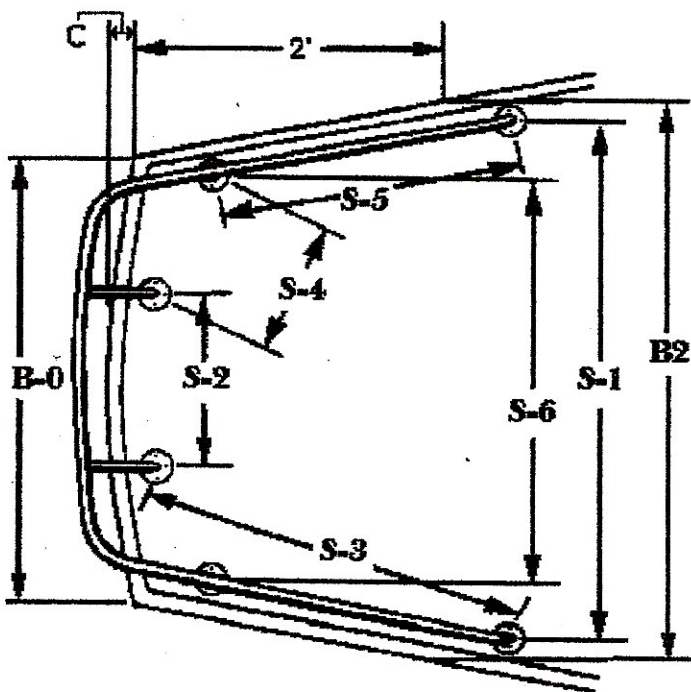
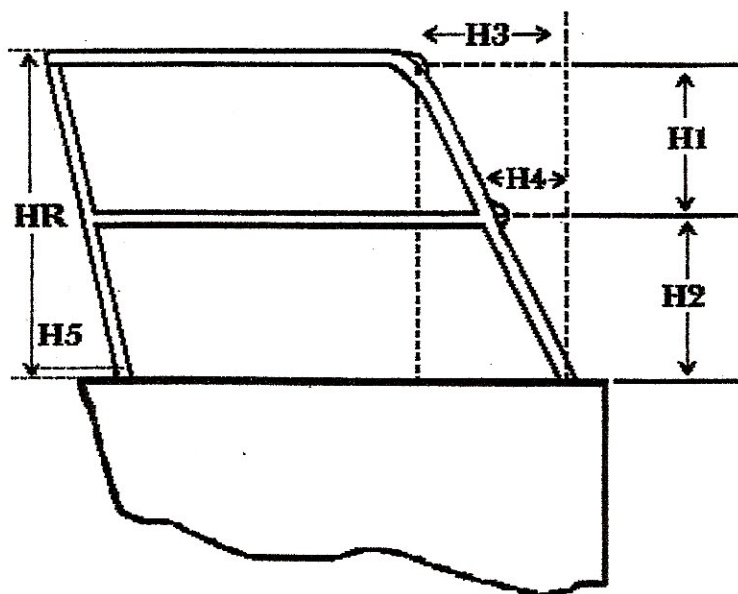
P.O. Box 610595 • Port Huron, Michigan 48061-0595

Phone (810) 987-4837

Custom Stern Rail Measuring Guide

Customer Name _____

Model Number _____



- HR _____ Height from top of rail to horizontal deck line.
- H3 _____ Center of top eye to vertical line extended from center of forward base.
- H5 _____ Center of aft leg to vertical line extending down from top of rail.
- H1 _____ Height from center of intermediate eye to center of top eye.
- H2 _____ Height from deck to center of intermediate eye.
- H4 _____ Center of intermediate eye to vertical line extended from center of forward base.

Required for all rails (Single & double)

Required for double rails only (WDS models)

- B-0 _____ Beam at Transom Corner.
- B-2 _____ Beam 2 ft. ahead of B-0.
- C _____ Stern crown.

Required for all rails.

- S1 _____ Fwd bases, beam, centerline
- S2 _____ Aft bases, beam, centerline
- S3 _____ Aft base centerline to fwd base centerline
- S4 _____ Aft base to mid base.
- S5 _____ Mid base of fwd base
- S6 _____ Mid bases, beam

Required for 6 leg rails only.

If bases are welded-on plates:

Specify deck camber (Height difference between bases)

Fwd _____ Mid _____ Aft _____